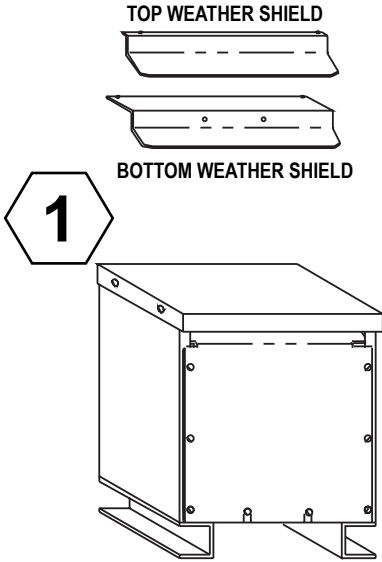


Weather Shield Conversion Instructions

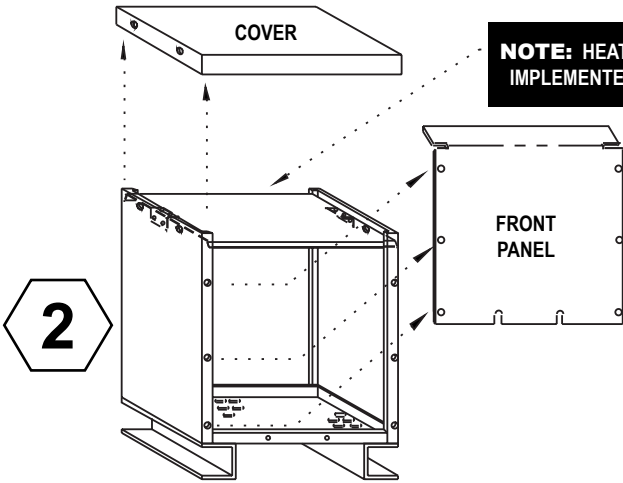
NOTE:

WEATHER SHIELDS PROVIDE EASY CONVERSION OF UL LISTED NEMA TYPE 2 INDOOR UNITS TO UL LISTED NEMA 3R OUTDOOR UNITS. SIMPLY INSTALL SHIELDS PER INSTRUCTIONS. KIT INCLUDES TWO (2) TOP WEATHER SHIELDS (FRONT & BACK) AND TWO (2) BOTTOM WEATHER SHIELDS (FRONT & BACK).

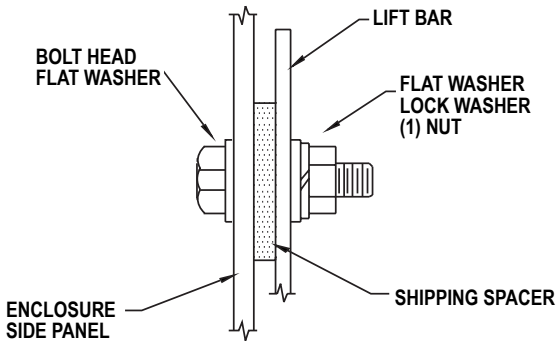
DESIGNS WILL VARY, PLEASE PAY CLOSE ATTENTION TO SPECIAL NOTES.



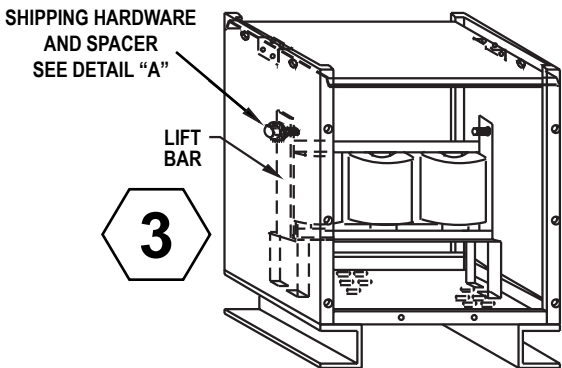
(NEMA TYPE 1 INDOOR UL LISTED)
(NEMA TYPE 2 INDOOR UL LISTED LIMITED PROTECTION AGAINST FALLING WATER AND DIRT)

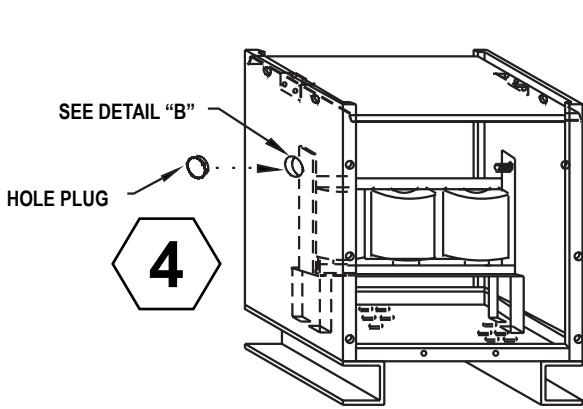


NOTE: STEPS 3 AND 4 ARE FOR ALL OUTDOOR UNITS WITH SHIPPING HARDWARE AT TOP OF TRANSFORMER ASSEMBLY

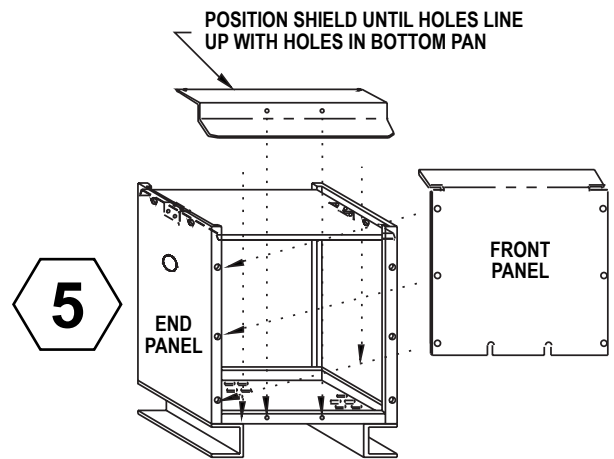


DETAIL "A"

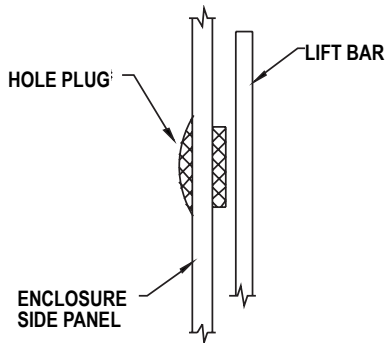




INSERT HOLE PLUG SUPPLIED WITH KIT IN HOLE AT EACH END OF THE ENCLOSURE (NOT REQUIRED FOR INDOOR UNITS WITHOUT LIFT BARS)

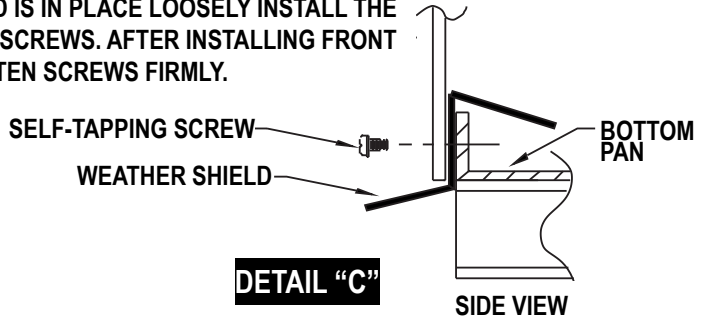


INSTALL BOTTOM WEATHER SHIELD AS SHOWN ABOVE (FRONT & BACK) (SEE DETAIL "C") REPLACE FRONT & BACK PANELS.

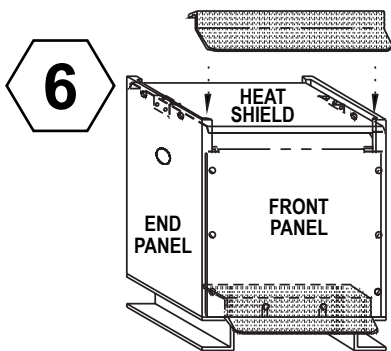


DETAIL "B"

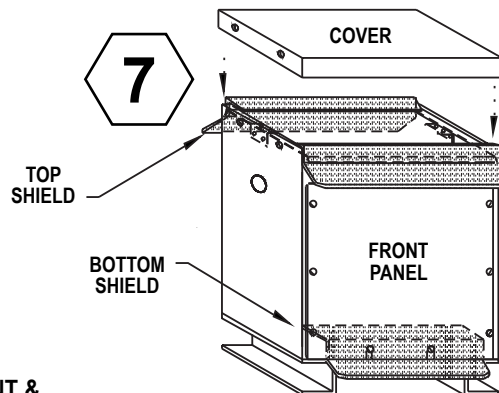
AFTER WEATHER SHIELD IS IN PLACE LOOSELY INSTALL THE (2) 1/4-20 SELF-TAPPING SCREWS. AFTER INSTALLING FRONT AND BACK PANEL, TIGHTEN SCREWS FIRMLY.



DETAIL "C"



INSTALL TOP WEATHER SHIELDS FRONT & BACK BY RESTING SHIELD ON END PANEL FLANGES.



REPLACE COVER



**COMPLETED OUTDOOR UNIT
NEMA TYPE 3R UL LISTED**

